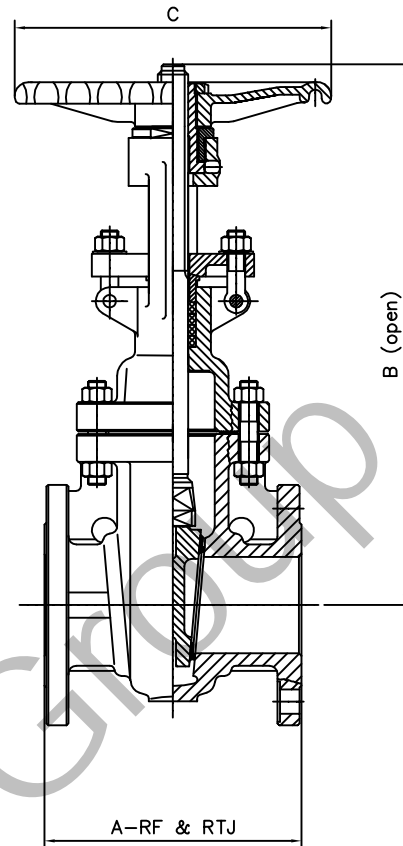


# Gate Valve Class 150 – ARTEK GROUP SRL



DESIGN AND MATERIALS ACC.TO NACE 0175/ISO 15156 LATEST EDITION  
 FLANGED AND CONNECTIONS ACC.TO ANSI B16.5 / ANSI B16.25  
 FACE TO FACE ACC.TO ANSI B16.10  
 FLANGE FACING ACC.TO SMOOTH FINISH 125-250 AARH  
 VALVE DESIGN API 600  
 FULLY COMPLIANCE WITH PED 97/23/EC  
 TEST AND INSPECTION API 598  
 PRESSURE AND TEMP.RATING ANSI B16.34

### Typical Bill for GATE

Component	TY1	TY2	TY3	Component	TY1	TY2	TY3
Body	ASTM A216WCB	ASTM A351CF8M	ASTM A351CF3M	Gland Flange	ASTM A216WCB	ASTM A351CF8M	ASTM A351CF3M
Seat Rings	ASTM A182F6+STL.6	ASTM A182F304L+STL.6	ASTM A182F316L+STL.6	Gland Bolt Pins	ASTM A105	ASTM A182F304L	ASTM A182F316L
Wedge	ASTM A216WCB+STL.6	ASTM A351CF8M+STL.6	ASTM A351CF3M+STL.6	Gland Bolts	ASTM A193-B7	ASTM A193-B8	ASTM A193-B8M
Stem	ASTM A182F6	ASTM A182F304L	ASTM A182F316L	Gland Nuts	ASTM A194-2H	ASTM A194-GR.8	ASTM A194-GR.8M
Bonnet	ASTM A216WCB	ASTM A351CF8M	ASTM A351CF3M	Nameplate	Stainless Steel	Stainless Steel	Stainless Steel
Bonnet Gasket	SS316+Graphite	SS316+Graphite	SS316+Graphite	Grease Fitting	ASTM A105	ASTM A182F304L	ASTM A182F316L
Bonnet Nuts	ASTM A194-2H	ASTM A194-GR.8	ASTM A194-GR.8M	Yoke Bushing	ASTM A105	ASTM A182F304L	ASTM A182F316L
Bonnet Studs	ASTM A193-B7	ASTM A193-B8	ASTM A193-B8M	Handwheel	Ductile Iron	ATSM A105	ASTM A105
Back Seat Bushing	ASTM A182F6	ASTM A182F304L	ASTM A182F316L	Handwheel Nut	ASTM A194-2H	ASTM A194-GR.8	ASTM A194-GR.8M
Packing	Braded & Flex. Graphite	Braded & Flex. Graphite	Braded & Flex. Graphite	Set Screw	ASTM A106-GR.8	ASTM A182F304L	ASTM A182F316L
Gland	ASTM A105	ASTM A182F304L	ASTM A182F316L				

### Class 150

Size	nps	2	2.5	3	4	5	6	8	10	12	14	16	18	20	24
A-RF	dn	50	65	80	100	125	150	200	250	300	350	400	450	500	600
	in	7.0	7.5	8.0	9.0	10.0	10.5	11.5	13.0	14.0	15.0	16.0	17.0	18.0	20.0
A-BW	mm	178	191	203	229	254	267	292	330	356	381	406	432	457	508
	in	8.5	9.5	11.1	12.0	15.0	15.9	16.5	18.0	19.8	22.5	24.0	26.0	28.0	32.0
B	mm	216	241	282	305	381	404	419	457	503	572	610	660	711	813
	in	14.8	17.1	18.2	22.6	28.1	33.2	38.9	46.4	54.6	63.5	72.4	79.2	86.0	100.8
C	mm	376	434	462	574	714	843	988	1179	1387	1613	1839	2012	2184	2560
	in	8.0	8.0	8.0	10.0	13.8	14.0	16.0	18.0	20.0	22.0	24.0	27.0	30.0	30.0
RF	lbs	46	56	71	111	163	196	289	449	639	860	1190	1389	1786	2602
	kg	21	25	32	50	74	89	131	204	290	391	541	631	812	1183
BW	lbs	40	46	58	91	152	180	259	425	584	811	1146	1349	1720	2534
	kg	18	21	26	41	69	82	118	193	265	369	521	613	782	1152